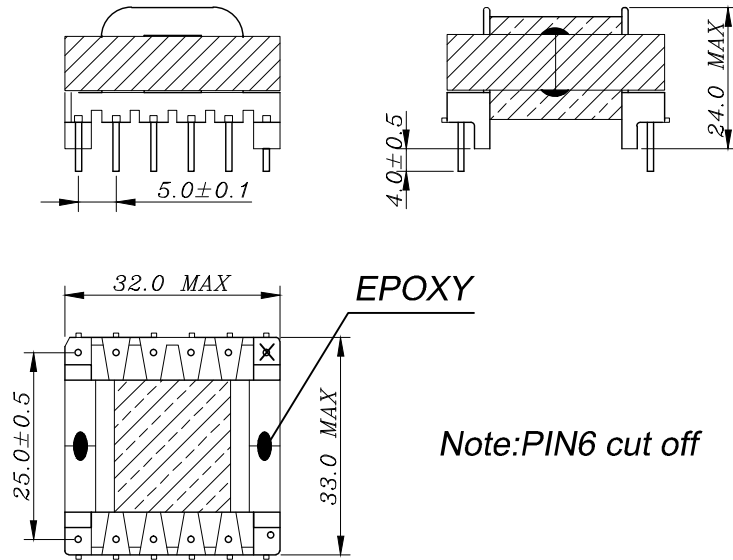


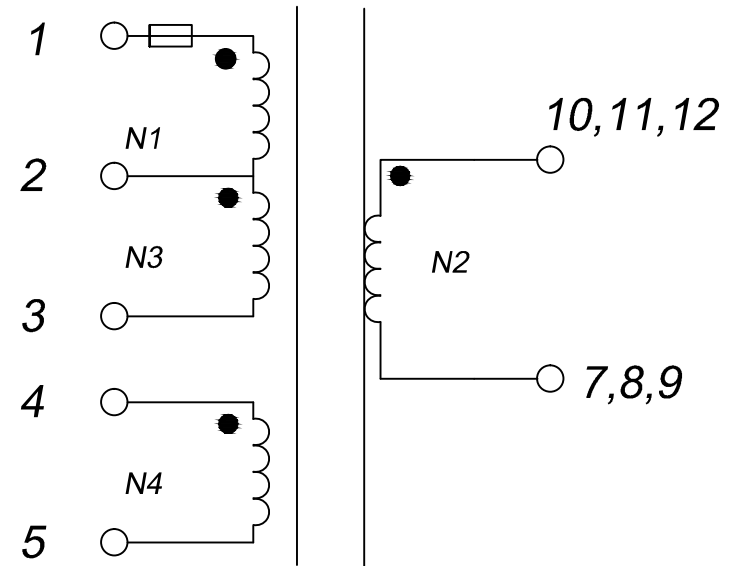
CUSTOMER TERMINAL	ROHS	Lead (Pb) -free
	YES	YES



1. Mechanical Dimensions



2. Schematic Diagram



3. Material List

Core: FW40 EE30/15/7
 Bobbin: FWB3015 6+6PIN
 Wire: 2UEW
 Tube: TFL TUBE
 Operating Temperature: -30 to 115°C

4. Electrical Specification

Inductance: $L (1-3) = 800\mu\text{H} \pm 5\% 10.0\text{KHZ } 1.0\text{V}$
 Leak inductance: $LK (1-3) = 10.4\mu\text{H MAX } 10.0\text{KHZ } 1.0\text{V}$
 HI-POT: COIL-CORE AC 3000V 1mA 60seconds

REV.	DATE	 Convention Placement	DRW.	Drawing Title: TRANSFORMER Customer P/N:	Part No:
0	06/01		CHK.		FWPTEE30H801J
RoHS		www.ferriwo.com	APP.		Specification Sheet 1 of 1